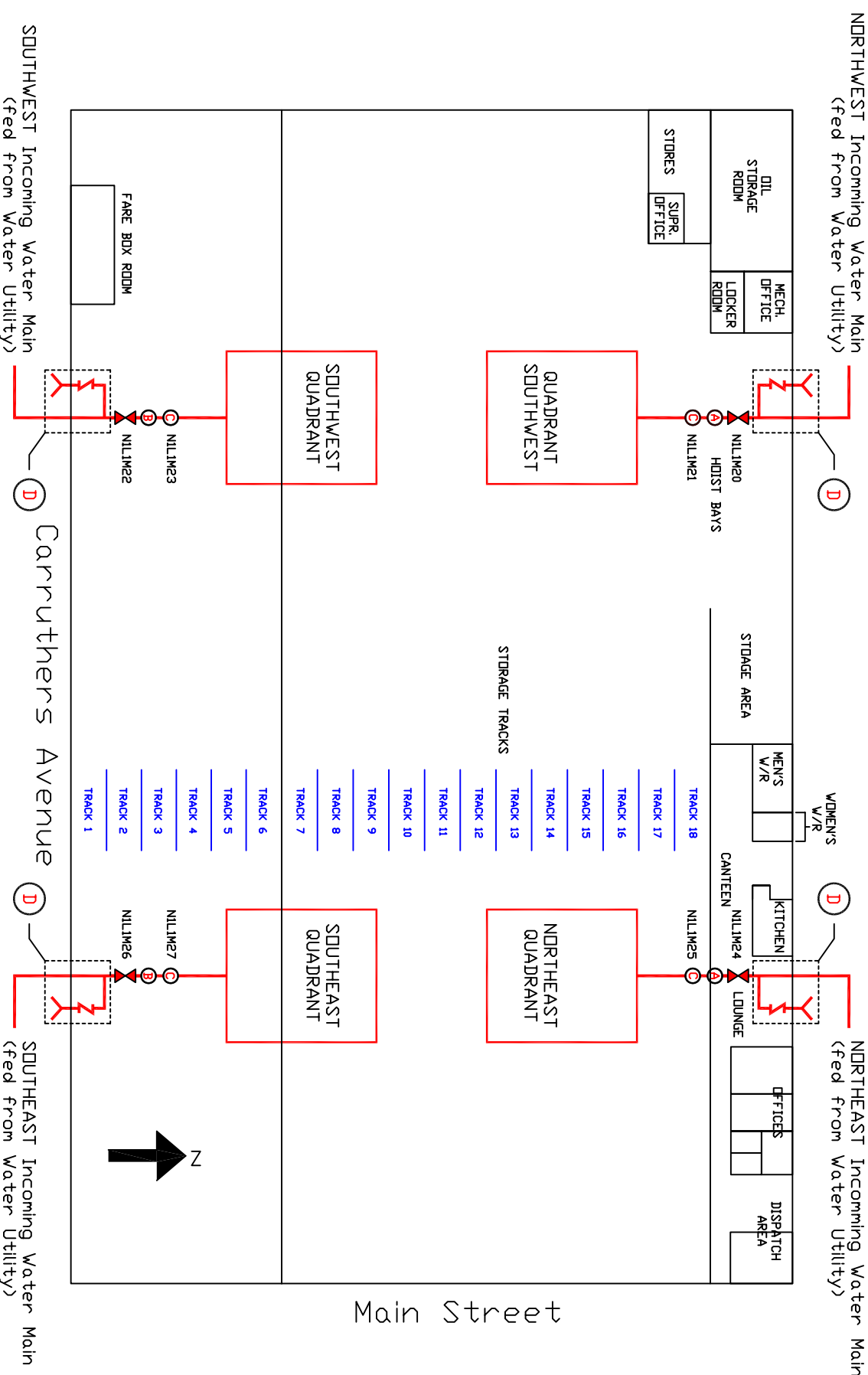


SYMBOL QUANT. DESCRIPTION

- (A) 2 SPRINKLER RISER - VIKING 6"
- (B) 2 SPRINKLER RISER - 6" AUTOMATIC ALARM VALVES
- (C) 4 FLOW SWITCH - PADDLE TYPE
- (D) 4 CHECK VALVE, FIRE DEPARTMENT CONNECTIONS AND INCOMING WATER MAIN

SYMBOL DESCRIPTION

- Z CHECK VALVE
- Y ISOLATION VALVE
- SPRINKLER ZONE - Identified by boxed in text, which describes location in the building.
- FIRE DEPARTMENT CONNECTIONS



NOTE: LABELS (eg. like NILIM20 or N2LIM21) NEXT TO EQUIPMENT ARE MODULE ADDRESSES FOR THE FACILITIES FIRE ALARM SYSTEM.

NORTH GARAGE SPRINKLER SYSTEM BUILDING SINGLE LINE DIAGRAM	
REVISION 0	REF NO NG_028
DRAWING NO.	NG SPR 02